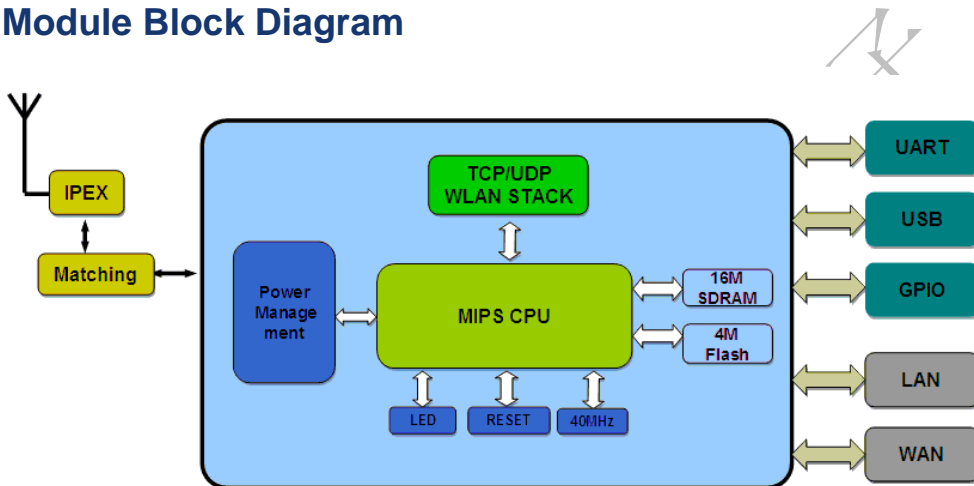


Overview:

HLK-RM04 is a new low-cost embedded UART-ETH-WIFI module (serial port - Ethernet -Wireless network) developed by Shenzhen Hi-Link Electronic co., Ltd.

This product is an embedded module based on the universal serial interface network standard,built-in TCP / IP protocol stack, enabling the user serial port, Ethernet, wireless network (wifi) interface between the onversions.Through the HLK-RM04 module, the traditional serial devices do not need to change any configuration,data can be transmitted through the Internet network. Provide a quick solution for the user’s serial devices to transfer data via Ethernet

Module Block Diagram



Note: The software support of usb and GPIO will be release later

Features:

- 2.4GHz 802.11b/g/n, compatible
- Support IEEE 802.3、IEEE 802.3u
- WiFi Client/AP/Router Mode
- Support wps/wds
- The range of baudrate: 1200~500000bps
- Support transparent transmission mode
- Support multiple security authentication mechanisms: WEP64/WEP128/ TKIP/ AES WEP/WPA-PSK/WPA2-PSK
- Support wireless roam
- Support multiple network protocols: PPPOE/TCP/UDP/DDDNS /DHCP/DNS/HTTP/Firewre
- Support AT+ instruction set
- Support two config methods:Serial/WEB
- Device Dimensions 29mm*40mm* 8.8mm

Lead-free and RoHS compliant

Benefits

- WiFi Router module solutions
- Ready to use in products
- Minimises product development time
- No RF test required for systems
- Compliant with CE and FCC part 15 rules.
- Serial to Wifi;Serial to Net;Both by one module

Applications

- WiFi Led Control
- WiFi Power Switch
- Home and Commercial building automation
- OBDII WiFi Diagnose
- RFID Data Transfer
- Toys and gaming peripherals
- Industrial systems
- Telemetry
- Remote Control

1.HLK-RM04 LED ControlBoard:



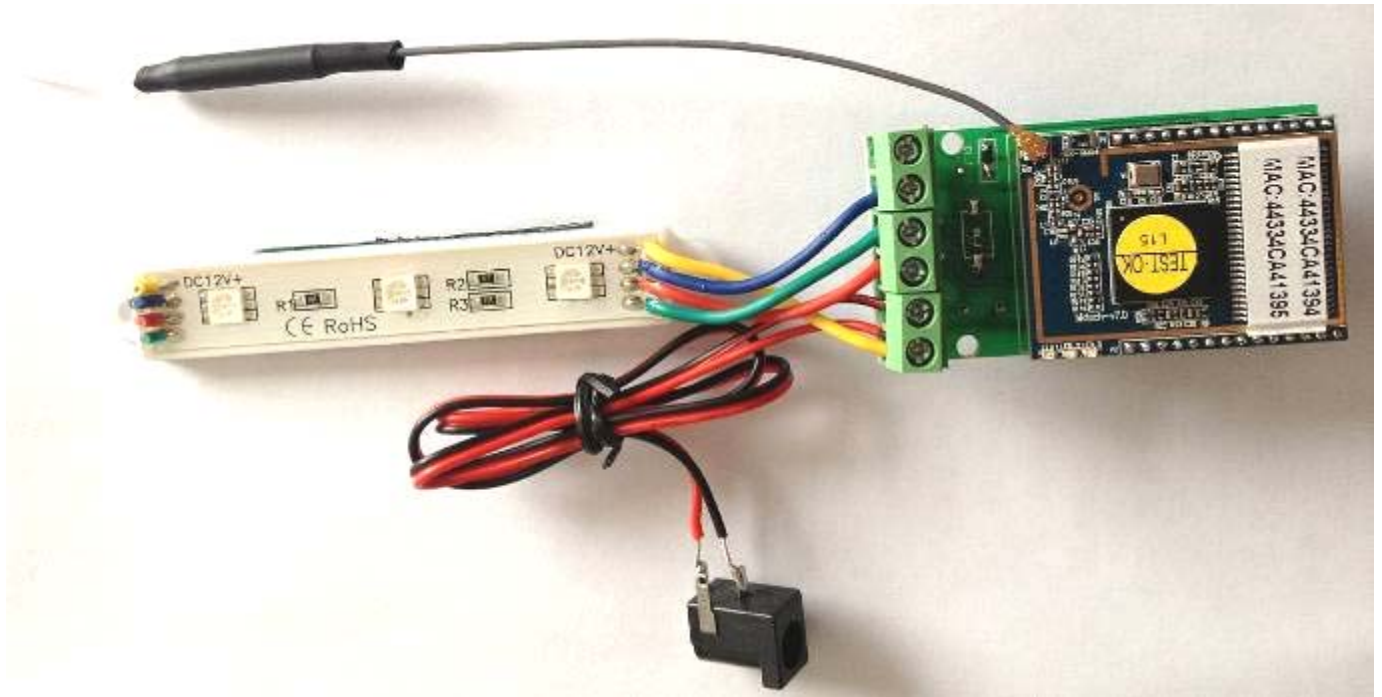
2.Interface:



From left to right the pin is:
NC, Blue Single, Green Single, Red Single, GND, VCC

Note:VCC is DC from 12V~38V

Connect to Led View:



Test Step:

1. Power on the testboard. Wait for about 30s. Then use your android phone to connect to the module



Search the WIFI module



Enter the password, and then connect the WIFI

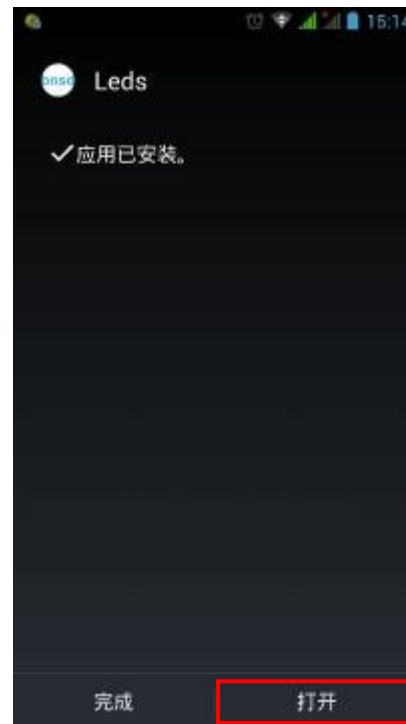


Successfully connected to the WIFI

2. Install the APP:leds.control.apk. You can down from here:[Down](#)

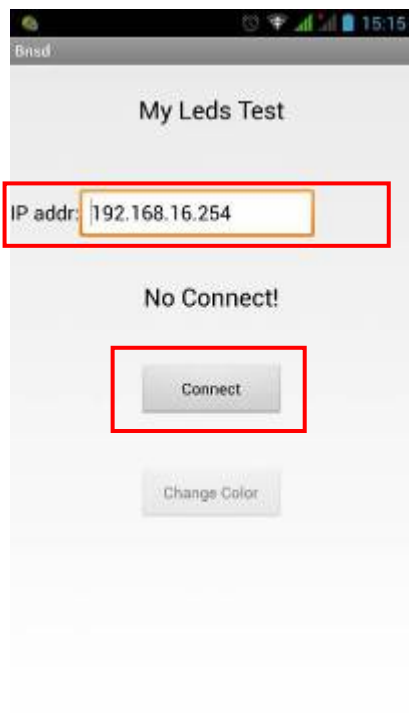


Download software to the phone

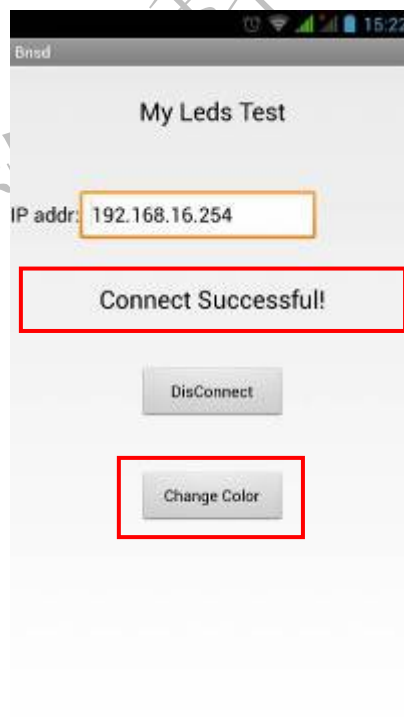


Complete the installation, open the software

3. Open the APP. Connect to the module and change the color.



Enter the IP, the default IP address is 192.168.16.254, then click the Connect button



If the connection is successful, then click the Change Color button



Click on the colored circle to change color



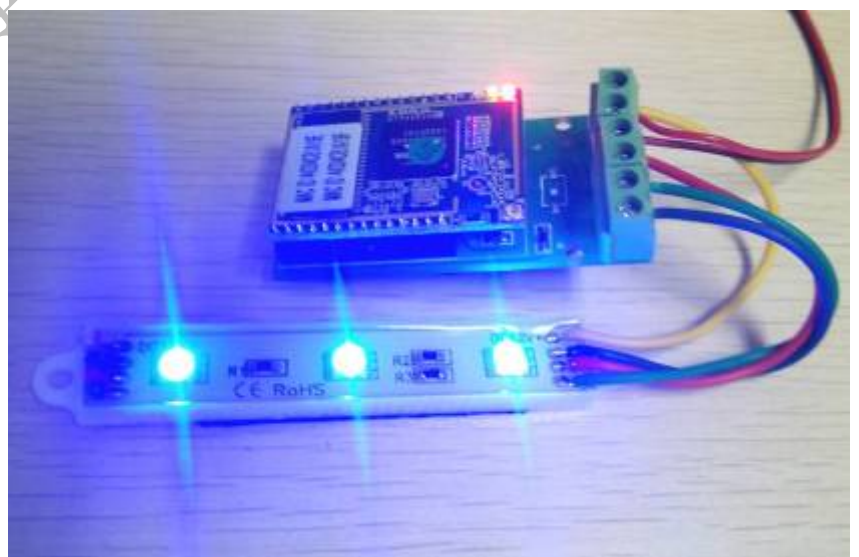
For example, select the green



The LED light shows green



For example, select the blue



The LED light shows blue